



# Trencher

## Dingo<sup>®</sup> Attachment

Model No. 22447—210000001 and Up

## Parts Catalog

---

### Ordering Replacement Parts

To order replacement parts, please supply: the part number, the quantity, and the description of each part desired.

### Understanding Reference Numbers

Each identified part in an illustration has a reference number. The reference number for a part also appears in the parts list, along with other information about the part.

This catalog uses two special reference number formats, one to indicate parts in a service assembly and another to indicate the quantity of a given part in an illustration.

### Service Assembly Reference Numbers

Parts in service assemblies have reference numbers in the form **a:b**. The **a** represents the reference number of the entire service assembly and the **b** represents a sequential number unique to each part within the service assembly.

For example, a wheel assembly might be identified by reference number **6**, the tire by **6:1**, the valve by **6:2**, and the wheel by **6:3**. When you order the assembly identified by reference number **6**, you receive all parts identified by reference numbers **6:1**, **6:2**, and **6:3**. However, you may also order any part individually.

Reference numbers of this type appear in illustrations and in part lists.

### Reference Numbers Indicating Quantity

In an illustration, if a reference number indicates more than one part, the reference number has the form **nX y**. The **n** represents the quantity of the part, the **X** is the multiplication symbol, and the **y** represents the reference number.

For example, in an illustration, the reference number **2X 37** means that two of the parts identified by reference number **37** are indicated.

## Contents

Description	Page	Description	Page
Trencher Assembly .....	3		
Trencher Drive Assembly .....	4		

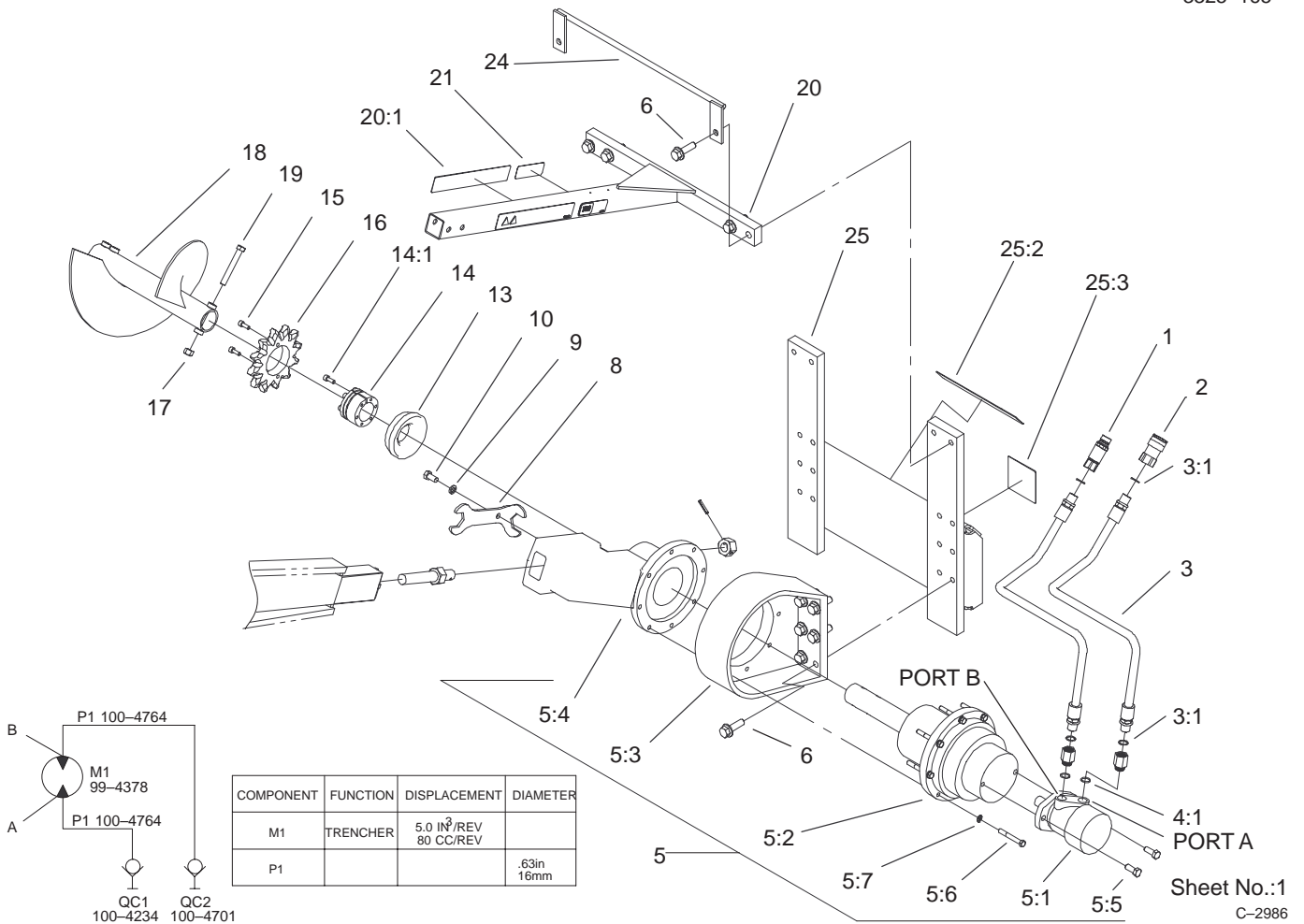
## Accessories

Description	Model / Part No.	Description	Model / Part No.
4" 1/2 & 1/2 Chain .....	22462	8" Chain .....	22468
6" 1/2 & 1/2 Chain .....	22463	12" Chain .....	22469
4" Chain .....	22466	Crumber .....	22464
6" Chain .....	22467		

## Part Description Abbreviations

Part descriptions in this catalog may include the following abbreviations.

Abbreviation	Meaning	Abbreviation	Meaning
AR .....	as required	INC .....	incorporated
ASM .....	assembly	LH .....	left hand
CARR .....	carriage	NI .....	nylon insert
DEG .....	degrees	PPH .....	Phillips pan head
FH .....	flat head	PTH .....	Phillips truss head
GA .....	gauge	PTO .....	power take off
HF .....	hex flange	RH .....	right hand
HH .....	hex head	SFH .....	slotted fillister head
HHF .....	hex head flange	SHH .....	slotted hex head
HLH .....	hex lag head	SQH .....	square head
HJ .....	hex jam	SHWH .....	slotted hex washer head
HOC .....	height-of-cut	SPH .....	slotted pan head
HS .....	hex socket	SRH .....	slotted round head
HSBH .....	hex socket button head	STD .....	standard
HSFH .....	hex socket flat head	TAP .....	self tapping
HSH .....	hex socket head	TTH .....	Torx truss head
HWH .....	hex washer head	WH .....	wing head
HWHTF .....	hex washer head thread forming		



Sheet No.:1  
C-2986

## Trencher Assembly

Ref. No.	Part No.	Qty.	Description
1	100-4701	1	Nipple-Connect, Pressure
*1:1	100-6120	1	Kit-Seal
2	100-4234	1	Coupler-Face, Flush
*2:1	100-6119	1	Kit-Seal
3	100-4764	2	Hose-Hydraulic
3:1	237-80	2	O-Ring
4	100-4763	2	Adapter-Conversion
4:1	99-4368	1	O-Ring
☆5		1	Trencher Drive ASM
5:1	104-5854	1	Motor-Hyd, 80cc (1 Inch Shaft)
5:1	99-4378	1	Motor-Hyd(Optional), 100cc-1 Inch Shaft
5:1	104-5864	1	Motor-Hyd(Optional), 80cc-32mm Shaft
5:1	104-5865	1	Motor-Hyd(Optional), 100cc-32mm Shaft
*5:1:1	99-4376	2	Kit-Seal, Motor
5:2	99-4358	1	Gearbox ASM
*5:2:1	99-4375	1	Seal-Oil
*5:2:2	99-4374	2	O-Ring
*5:2:3	99-4377	1	Set-Gear, Gearbox
5:3	99-4320	1	Mount-Drive, Planetary
5:4	99-4321	1	Mount-Boom

Ref. No.	Part No.	Qty.	Description
5:5	325-29	2	Screw-HH, LH
5:6	323-14	8	Screw-HH
5:7	3253-5	8	Washer-Lock
6	104-5870	10	Screw
*7	104-1997	1	Trencher Boom ASM
8	99-4323	1	Spanner
9	3253-7	1	Washer-Lock
10	325-4	1	Screw-HH
13	99-4367	1	Protector-Seal
14	99-4334	1	Lock-Taper
14:1	92-5697	6	Screw-HSH
15	3274-18	2	Screw-HSH
16	100-1699	1	Sprocket-12t
17	3296-23	1	Nut-Lock, NI
18	104-1916-03	1	Auger ASM,
19	325-35	1	Screw-HH
20	99-4326	1	Safety Rail ASM
20:1	99-9952	2	Decal-Danger
21	98-4683	2	Decal-Attachment, Dingo
24	99-4331-03	1	Hose Guide ASM
25	104-5853	1	Mounting ASM
25:2	99-9952	1	Decal-Danger
25:3	99-9953	1	Decal-Danger

\* Not illustrated

☆ Not serviced





